



92.740 SQ

Use, Maintenance and Spare Parts Manual



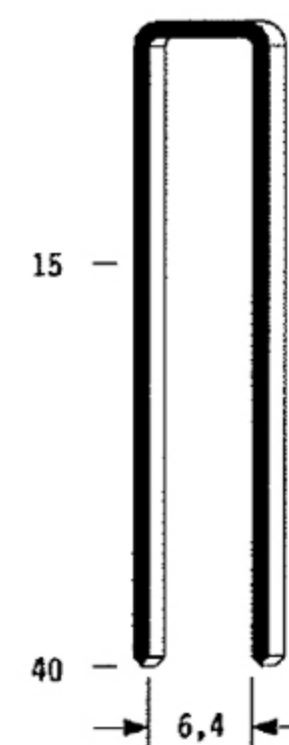
Technical Data

Usable lengths mm	15÷40
Magazine capacity No. of fasteners	110
Working pressure	5÷7,5 bar 70÷105 psi
Air consumption litres/shot	0,75
Weight kg	1,91
Dimensions mm	270x77x254
EN 12549 :1999 ISO 11201 :1995	
Sound pressure at the workstation	86,1 dB(A)
EN 12549 :1999 ISO 3744 :1994	
Emitted sound power	94,9 dB(A)
EN 28662 :1992 ISO 5349 :1986 ISO 8662 -11	
Weighted mean value of vibration on the grip	2,6 m/s²

Type of Fastener

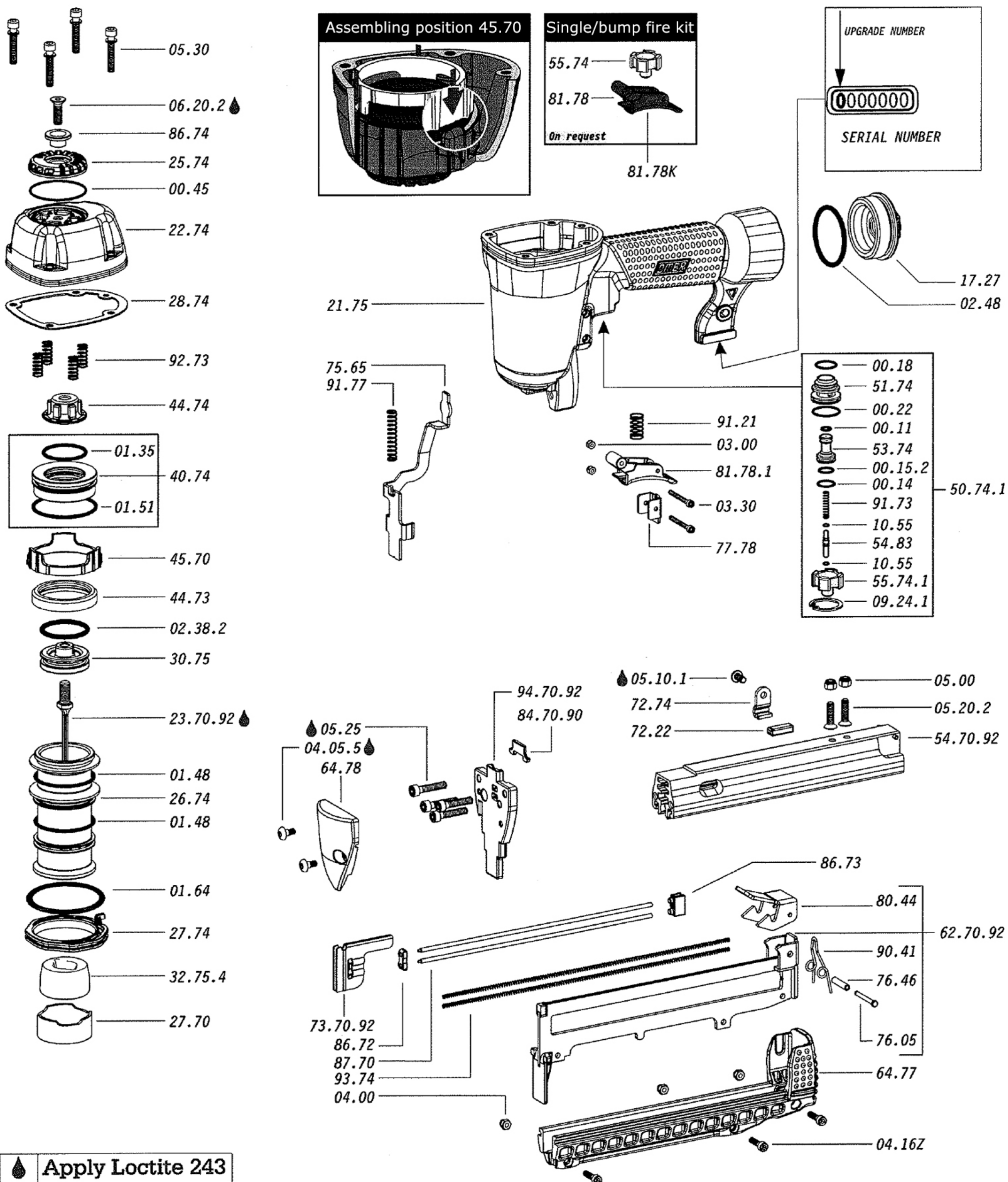
92

☒ 1,00x1,25

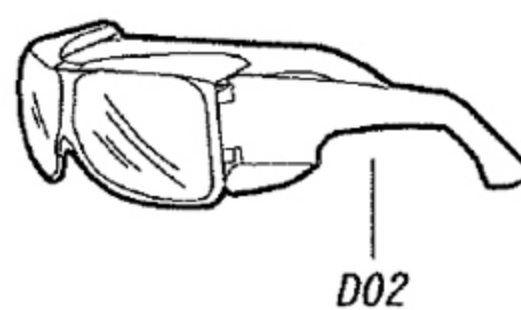
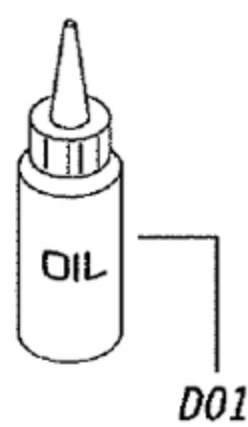
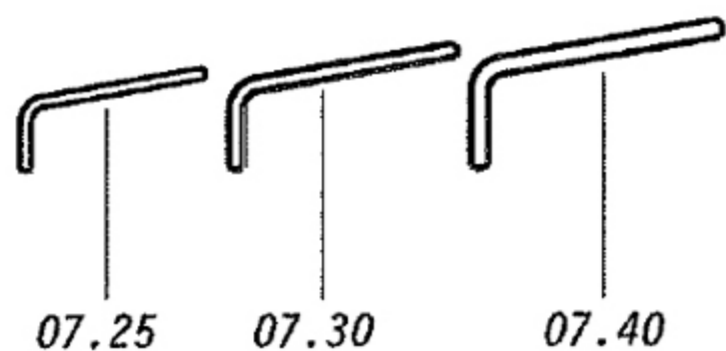


Crown: .330" (5/16")
Gauge: 18

Spare Parts



Equipment



92.740 SQ

February 2013

Spare Parts

February 2013

Cod.	Description
00.11	O-Ring
00.14	O-Ring
00.15.2	O-Ring
00.18	O-Ring
00.22	O-Ring
00.45	O-Ring
01.35	O-Ring
01.48	O-Ring
01.51	O-Ring
01.64	O-Ring
02.38.2	O-Ring
02.48	O-Ring
03.00	Nut
03.30	Nut
04.00	Nut
04.05.5	Screw
04.16Z	Screw
05.00	Nut
05.10.1	Screw
05.20.2	Screw
05.25	Screw
05.30	Screw
06.20.2	Screw
07.25	Hex. bar wrench
07.30	Hex. bar wrench
07.40	Hex. bar wrench
09.24.1	Elastic ring
10.55	O-Ring
17.27	Inlet cap
21.75	Body
22.74	Head
25.74	Exhaust deflector
26.74	Cylinder
27.70	Ring
27.74	Cylinder ring
28.74	Head gasket
30.75	Piston
32.75.4	Bumper
40.74	Valve assembled
44.73	Cylinder gasket
44.74	Upper bumper
45.70	Spacer
50.74	Trigger valve assy
51.74	Servo valve bushing
53.74	Servo valve piston
54.83	Trigger valve
55.74	Trigger valve bush
55.74.1	Trigger valve bush
64.77	Slider guide
64.78	Safety guard
72.22	Slider stop
72.74	Rubber stop
75.65	Safety
76.05	Pin
76.46	Spring pin
77.78	Safety guide
80.44	Trigger
81.78.1	SQ Trigger
81.78	BF Trigger
86.72	Pusher guide
86.73	Pin guide
86.74	Bushing
87.70	Spring guide pin
90.41	Spring
91.21	Spring
91.73	Spring
91.77	Spring
92.73	Spring
93.74	Spring
23.70.92	Driver
54.70.92	Magazine
62.70.92	Slider
73.70.92	Pusher
84.70.90	Nose
94.70.92	Nose plate
D01	Oiler
D02	Protective goggles

Joint-Kit O Rings

